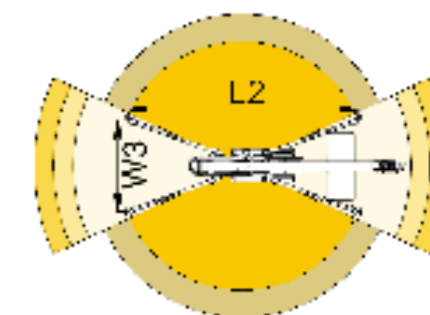
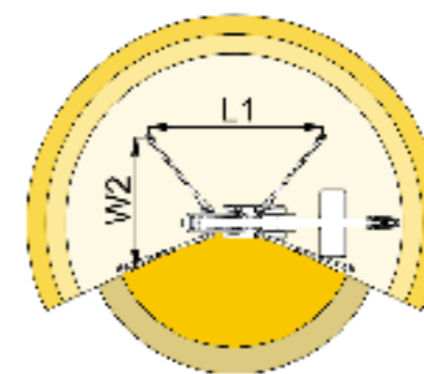
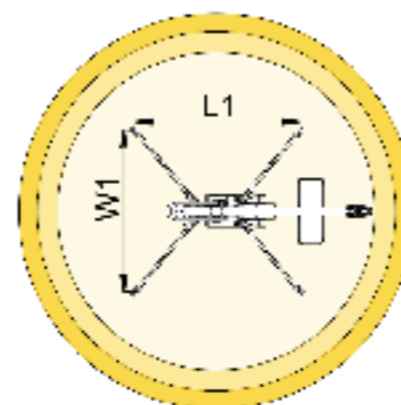
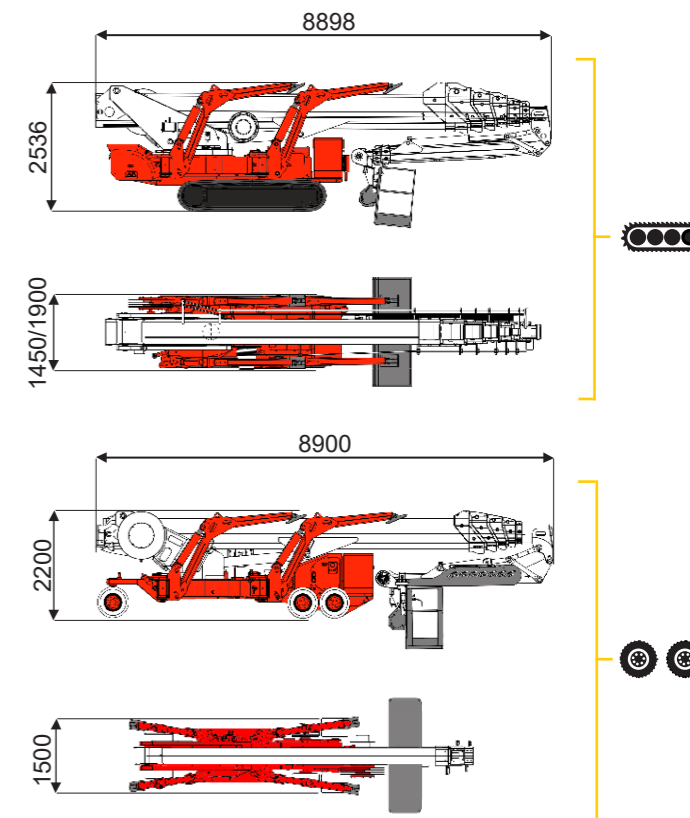
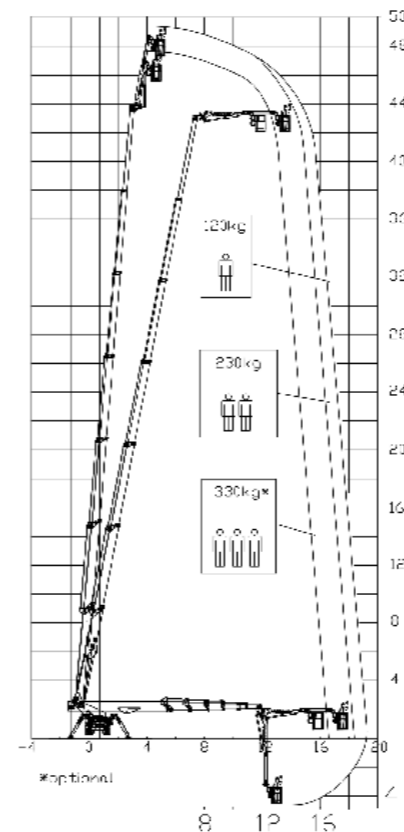




**49 m** ↑  
**19,3 m** →  
**330 Kg\*** 👤👤👤



16,8 m	18,5 m	19,3 m	13,8 m	15,5 m	L1	L2	W1	W2	W3
330 kg*	230 kg	120 kg	330 kg*	120/230 kg	6460 mm	7190 mm	5170 mm	4655 mm	4130 mm

**BI-ENERGY**  
Diesel+AC



<b>XTJ 48.1+/C</b> 🚫	49 m	19,3 m	330 kg*	170°	660°	240x70 cm	90°+80°	4,13-5,17 m	23%	38%	1,2 km/h	13650 kg	75 kN	4,09 kN/m <sup>2</sup>	6,39 kN/m <sup>2</sup>
<b>XTJ 48.1+/R</b> 🚫🚫	49 m	19,3 m	330 kg*	170°	660°	240x70 cm	90°+80°	4,13-5,17 m	23%	16%	1 km/h	13000 kg	75 kN	3,89 kN/m <sup>2</sup>	6,09 kN/m <sup>2</sup>

Available version:

- BI-ENERGY (DIESEL+AC)
- ECO (DC+AC)
- HYBRID (DIESEL+DC)

Characteristics and technical data are informative only and subjected to change without notice.